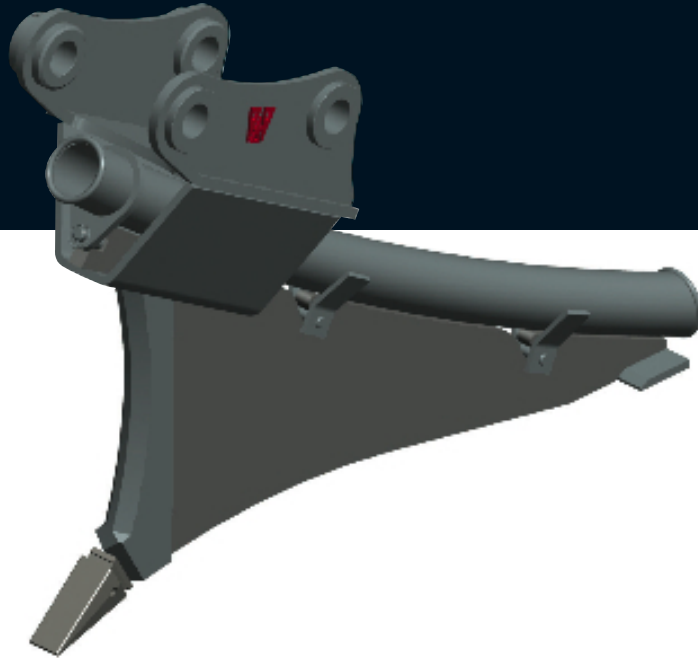


WEDGELOCK QUICKLAY™ PLOUGH

The ultimate excavator tool for laying flexible pipes and cables



Utilizing an excavator as the tool carrier you can now lay flexible pipes and cables faster and more efficiently than ever before with the QuickLay™ Plough by WedgeloK.

The design is based on the need to have a tool that can ease the laying of cables and pipes for the irrigation, agriculture and construction industries. Utilizing the speed and agility of an excavator, the operator can manipulate the tool to the right angle and depth which greatly increases the efficiency of laying product. The unique mole board design and laying technique minimizes ground disruption resulting in a virtually unmarked pasture finish.

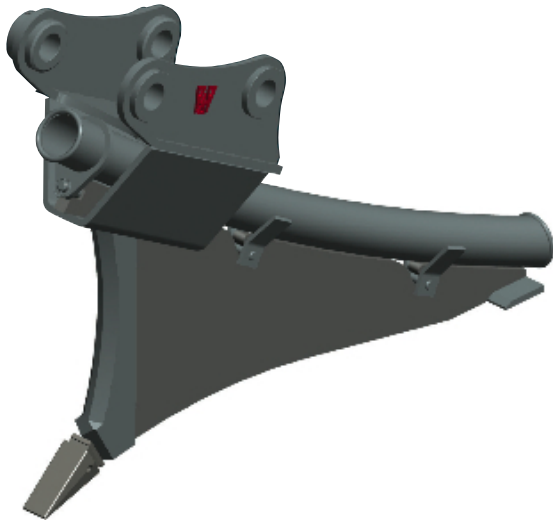
- **DESIGN** – sleek geometry makes the application of laying pipe quick and easy
- **SPEED** – considerably faster than a chain digger with fewer processes involved
- **SMOOTHNESS** – product being laid will not kink or catch
- **FULL PACKAGE** – interchangeable guide shoots of different diameters and guide roller assemblies for product control over the carrier machine

The QuickLay™ Plough was originally invented by Derek Ramsey of Ramsey Earthmovers, New Zealand and is manufactured by WedgeloK for the global market. NZ Patent No. 526181 and Patents Pending.



FEATURES OF THE QUICKLAY™ PLOUGH

Designed to make the laying of pipes and cables simple and cost effective and suitable for excavators from 12 tonnes through to 36 tonnes, the **QuickLay™ Plough** has the following features:



- Long mole board construction ensures full control on the direction and manipulation of the plough
- Leading edge of mole board is made from high tensile material providing strength and durability
- Interchangeable guide shoots - the operator can select and fit the guide shoot that best fits the product being laid
- Replaceable tip fitted to the leading point of the mole board
- Rear wing tips ensure the plough will not nose dive or pull up during the ploughing operation
- Adjustable roller assemblies for mounting to the excavator which guide the pipe or cable across the excavator for a smooth and controlled entry into the shoot
- Built for excavators ranging from 12t through to 36t



Interchangeable Shoots



Roller Asemblies

Weight Class	Excavator Machine Weight Tonnes (lbs)	Part Number	Laying Depth		Guide Shoot ID's
			mm	in	mm
130	10.0-13.0T (22000-28600)	RP-130	700	27	50, 65, 80
170	14.0-17.0T (30800-37400)	RP-170	850	33	65, 80, 100
210	18.0-21.0T (39600-46200)	RP-210	850	33	65, 80, 100
270	22.0-27.0T (48400-59400)	RP-270	1000	40	80, 100, 150
320	28.0-32.0T (61600-79200)	RP-320	1000	40	80, 100, 150

QF0902

Full package includes QuickLay™ Plough, Guide Shoots and Roller Assemblies
Specifications subject to change without notice



WEDGELOCK EQUIPMENT LTD
72 Montgomery Crescent, Upper Hutt 5018, New Zealand
Toll-free: 0800 424 482 Telephone: +64 4 526 3901 Email: nzinfo@wedglock.com