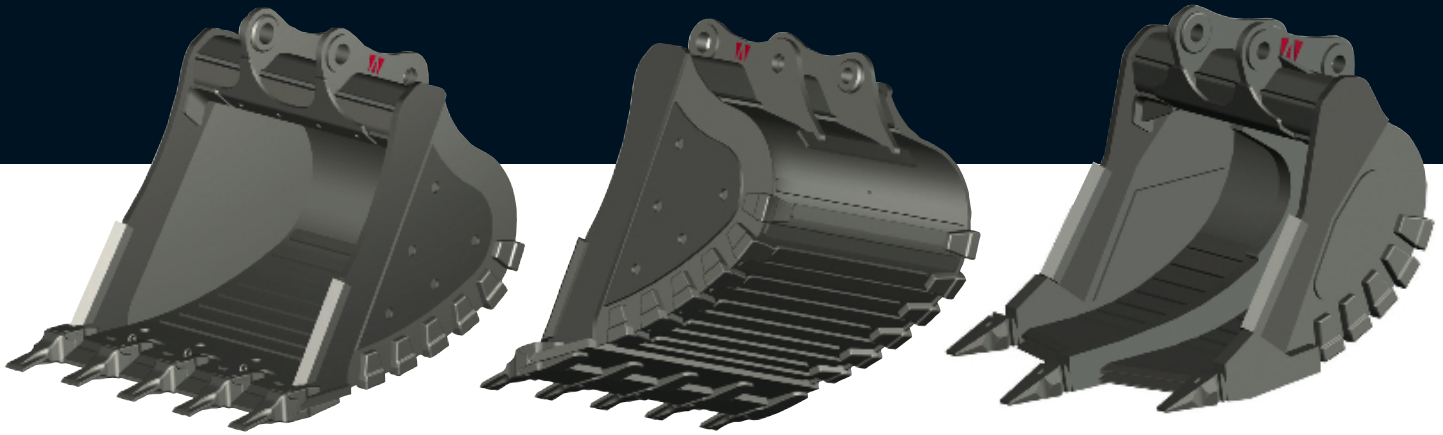


WEDGELOCK CUSTOM WORKS

Designing buckets for specific applications
Building buckets for optimum performance



Achieve maximum performance from your carrier machine by fitting a bucket designed and manufactured by our Custom Works team.

Whether you are bulking out, working in extreme environments or wanting to increase output, Wedgelock has the expertise to design and build the bucket that will suit your application. We offer:

- **Design Expertise** – Our in-house team has extensive experience in designing buckets specific to customer needs and applications
- **Modern Facilities** – We have state of the art fabrication facilities including full CNC plasma, machining centres, horizontal borers and overhead gantries
- **A Collaborative Approach** – We listen to our customers, visit work sites and collaborate with machine operators/owners on the desired features and design accordingly
- **Highly Skilled Workmanship** – We work to extremely high standards; our certified welders and fabricators work meticulously to produce world class quality fabrications

WHY CUSTOM DESIGN?

Different applications, ground conditions and material types can all impact on the performance and subsequent output of your carrier machine. Bucket capacity, the number of passes and dumping characteristics also need to be taken into account.

Wedgelock Custom Works consider all these variables and design accordingly. We can even integrate into our fabrication program, the vast array of ground engaging tools, wear plates and packages that are available.

The end result is a bucket that will enhance productivity, maximize fuel efficiency and minimize down time – all customized by customer.

**TALK TO US TODAY ABOUT DESIGNING
A CUSTOM BUCKET FOR YOUR NEEDS!**



WEDGELOCK EQUIPMENT LTD
72 Montgomery Crescent, Upper Hutt 5018, New Zealand
Toll-free: 0800 424 482 Telephone: +64 4 526 3901 Email: nzinfo@wedgelock.com

www.wedgelock.com